

HILLIARD ELECTRIC BRAKES FOR ELEVATOR MODERNIZATION



SAFETY. RELIABILITY. PERFORMANCE.

Secondary Braking System



Hilliard offers its customers two styles of spring applied electric released brakes that can be easily fitted to "A" frame elevator drives. These brakes are designed to apply when unintended travel of the car occurs. Hilliard offers a friction disc plate-style brake that attaches to the drive shaft of the pulley and a caliper-style that acts on a ring attached to the pulley. These brakes are an alternative to a rope gripper when performing a modernization job which requires lifting or moving a drive or extra construction to the elevator. Hilliard offers certain models of these two styles of brakes that meet CSA approval.

BRAKE TYPE:

ELECTRIC BRAKE

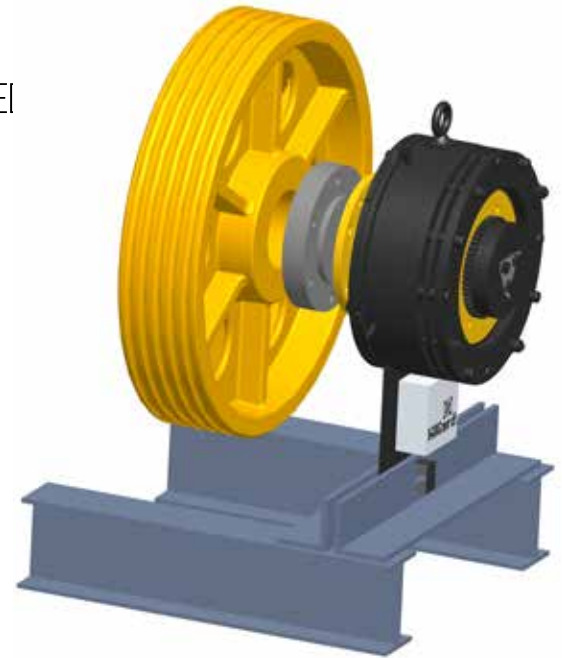
SPRING-APPLIED/ELECTRIC RELEASE

Hilliard **Electric Brakes** provide positive stopping and reliable holding of rotating devices on demand – every time.

Spring engaged when current is interrupted and electromagnetically released when voltage is applied, these brakes are designed for maximum flexibility and long, dependable service.

Each brake has an easy-to-adjust mechanism that compensates for friction surface wear, and extends the life of the brake.

The ideal complement to Hilliard's full line of motion control products, they are available in a variety of sizes, voltages, and torque ratings.

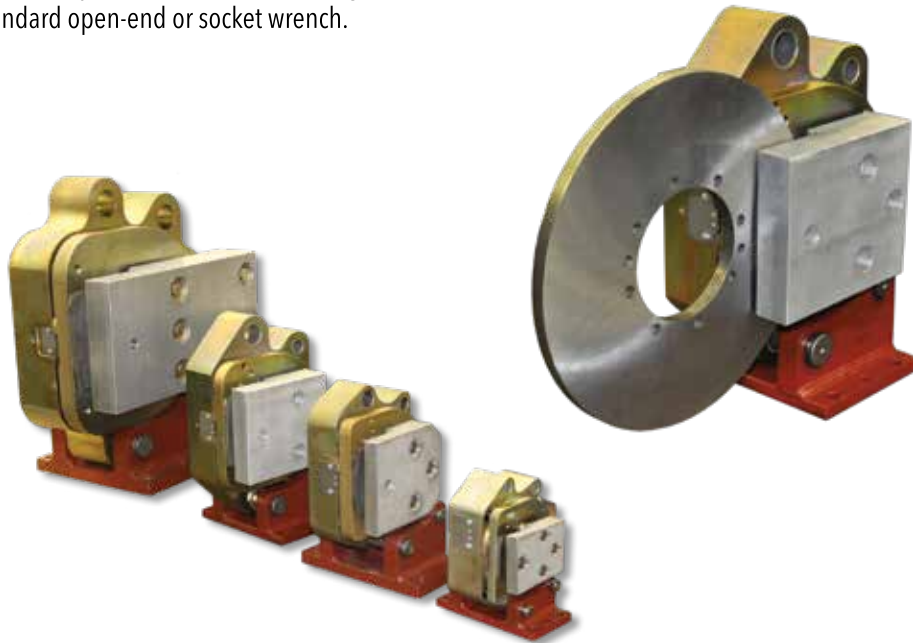
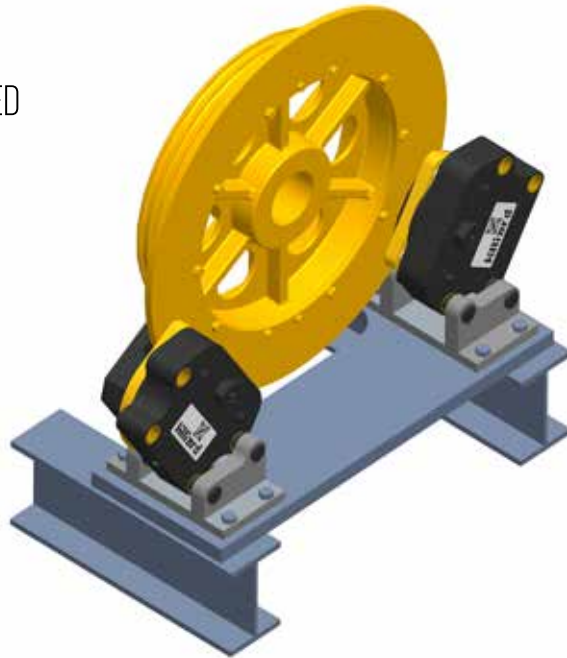


BRAKE TYPE:

MK BRAKE

SPRING-APPLIED/ELECTRIC RELEASED

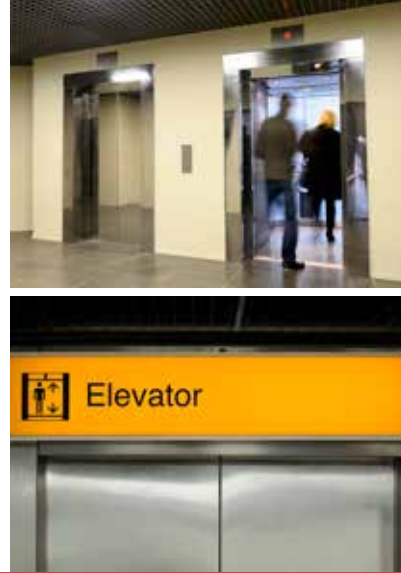
The Hilliard **MK Brake** is designed for use on elevators, conveyors, cranes, or other devices requiring a spring-applied electromagnetically released brake. The patented MK brake can be applied to a guide rail or a brake disc. It is unique in that it is direct acting with only one moving part. The brake incorporates an electromagnetic coil that uses a voltage dropping circuit to minimize current draw and heat when the brake is released. Brake is shipped with manual release bolts for easy assembly to the rail or disc. It can also be equipped with a manual release mechanism for a momentary release of the brake using a standard open-end or socket wrench.



BENEFITS:

- Designed for holding duty and emergency stopping
- Manual release mechanism automatically reapplies the brake when force is removed
- Equipped with a microswitch for monitoring brake status
- Can be configured for various rail or disc thickness
- Easy to install - equipped with manual release bolts
- Can be adjusted for wear by adding shims behind the brake pads
- Mounted on pins allowing for axial movement





Field Service • Technical Support • Training • Lunch & Learns Available



Made in America... Built for the World

HilliardBrakeSystems.com



Hilliard Products are
Made in the USA.

HISTORY
of
EXCELLENCE

Founded in 1905, The Hilliard Corporation has evolved from a one-product business into a special applications engineering company serving customers worldwide.

Independently-owned for four generations in Elmira, NY, the company has grown and prospered for over a century.

The Hilliard Corporation
100 West Fourth Street
Elmira, New York 14902-1504 USA
PHONE: 607.733.7121
FAX: 607.737.1108
www.hilliardbrakesystems.com
hilliard@hilliardcorp.com



HEBEM
04/17-SBC